



DIGITAL
ACOUSTICS

IP7™ -SS40

IP Paging Amplifier

Reference Manual



This page left blank

Table of Contents

Overview	1
Specifications	2
IP7-SS40 Layout.....	3
LED Indicators	6
LEDs	6
LED Status Table	6
LAN Connector LEDs.....	6
Connecting Power	7
External Power	7
USB Power	7
Connecting a Speaker / Transformer	7
SPKR 8Ω+ and SPKR 8Ω-.....	7
Speaker Configurations	7
25/70V Speaker(s) with optional 25/70V transformer	8
8 Ohm Speaker(s)	9
Connecting an I2C Bus.....	10
Mounting Instructions	10
Din Rail Mounting	10
Surface Mounting.....	10
Setting Volume Levels	11
Software Configuration.....	11
IP Address	11
Options	11
Environmental	12
Troubleshooting.....	13
Reset to Factory Defaults.....	13
Connecting 1/8" (3.5mm) Audio Plug to the Pluggable connectors	13
Reducing electrical noise in audio.....	13
Viewing tech support info via the USB port.....	13
Low Level Flashing Utility.....	14
Contacting Technical Support	14
Email support:.....	14
Regulatory Notices	15
Index	16

Overview

The Digital Acoustics IP7-SS40 is an IP (Internet Protocol) amplifier that provide up to 40 watts of audio output. The SS40 is capable of driving one or more speakers attached to a 25/70V audio distribution line or an 8 ohm speaker.

Standard features include:

- Drive one or more speakers for paging applications
- High quality 40 watt audio power with short circuit protection.
- Highly scalable and seamless expansion
- DIN rail or surface mount
- Fixed or DHCP compliant IP assignment
- Field upgradeable OS using internal Flash memory
- Flexible User Access for delivering paging through VoIP/SIP 2.0 or TalkMaster™ software

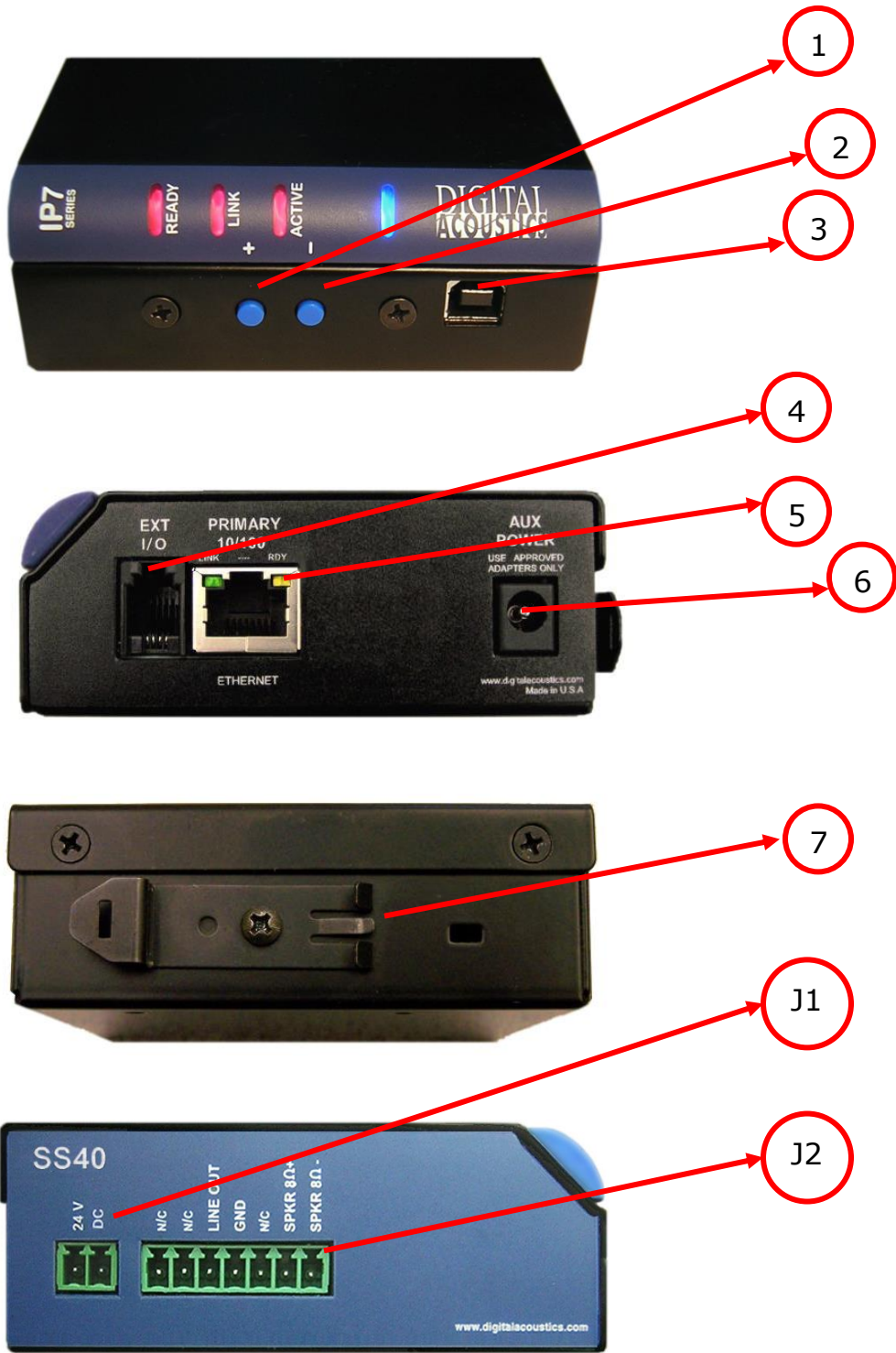


The IP7-SS40 must be configured using the TalkMaster software before being used. Please consult the configuration section of the software manual for details.

Specifications

Items	Specification
Hardware Protocols	TCP, UDP, SIP, RTP, ICMP, IGMP Multicast
Network Interface	10/100 Ethernet (Auto detection, Auto MDIX)
Command protocols	Proprietary (TalkMaster mode) or SIP 2.0
Audio Resolution	G.711 (8-bit PCM and 16-bit uLaw)
Audio Sample Rate	8 kHz (Voice mode) 22kHz (Background Music)
Audio Frequency	90-4kHz (Voice band) , 90-11khz (Background Music)
Internal Amplifier	40 watts @ 8 Ohms @ 10% THD
Humidity	10~90%
Power	24 to 25 VDC @ 60 watts nominal
Size	3.85. x 3.59 x 1.37 in 98 mm x 91mm x 35mm

IP7-SS40 Layout



Connections and Controls

Refer to the preceding pictures.

Connector	Connector / Control	Notes
1	+ Button	Volume up button
2	- Button	Volume down button
3	USB-B	Provides for low level firmware flashing as well as viewing technical support information. Will also power the unit for diagnostic purposes.

4	Ext I/O	I2C expansion bus interface that can be used for custom applications. Requires custom firmware from Digital Acoustics
5	Ethernet 10/100	10/100 Ethernet network interface. Supports auto negotiation and auto-MDIX
6	Aux Power	2.1mm power connector with center tip positive. 24V DC / CENTER POSITIVE Warning: Connecting power to both the 2.1mm Power jack and the J1-1 and J1-2 power connectors at the same time will damage the unit

7	DIN Rail Mounting Clip	Allows unit to be snapped on to standard 35mm DIN Rail stock
---	------------------------	--------------------------------------------------------------

There are two sets of pluggable DIN connectors (3.81mm centers) on the SS40:

SS40 J1 Connector

Connector	Signal	Notes
J1-1	Power + 24V DC	Note: The SS40 requires at least 60 watts of DC power at 24 Volts to operate at maximum audio power. Warning: <i>Connecting power to both the 2.1mm power jack and the J1-1 and J1-2 power connectors at the same time will damage the unit</i>
J1-2	Power - GND	

SS40 J2 Connector

Connector	Signal	Notes
J2-1	nc	No Connection
J2-2	nc	No Connection
J2-3	Line Out	-10db with a 10k termination. Suitable for driving powered multimedia speakers. Reference to J2-4
J2-4	GND	System Ground
J2-5	nc	No Connection
J2-6	SPKR 8Ω+	Floated* differential audio power amplifier output. (*Do not apply either pin to ground)
J2-7	SPKR 8Ω-	

LED Indicators

LEDs

There are four LEDs present on the curved bezel on the front of the product.

- The blue LED indicates that the IP7-SS40 has powered up.
- The three red LEDs indicate status of the unit.

LED	Description
Ready	Indicates whether the unit has connected to a Server
Link	Indicates whether the unit has a valid network Connection
Active	Indicates when audio is being received

LED Status Table

Description	Ready	Link	Activity
Normal operational mode. Unit can communicate with its Server	On	On	Off
Playing Audio	On	On	Flashing
Playing Broadcast Audio	Fast Flash	On	Flashing
Attempting to connect to make a connection or unit has not been configured	Flashing	On	
LAN connection is inactive. The RJ45 may be unplugged	Flashing	Off	
Unit has been detected by the Talkmaster Configuration Tool	Fast Flash	On	

LAN Connector LEDs

On the **Ethernet 10/100** RJ-45 connector:

- The Green LED tracks to the Ready LED
- The Yellow LED tracks to the Link LED

Connecting to an Ethernet Network

The **Ethernet 10/100** connector allows the unit to be attached to a 10/100 network.

- Plug a Cat5 cable into the RJ-45 connector labeled **Ethernet 10/100** and connect the other end to a 10/100 switch.
- The **Ethernet 10/100** connector supports auto “MDIX” and can be plugged directly into a PC for diagnostic purposes.

Connecting Power

The IP7-SS40 requires a 24VDC power supply rated at 60 watts.

External Power

- The 2.1mm Power Jack (center tip positive) accepts 24 VDC
- The **J1-1 (+)** and **J1-2 (-)** connector accepts 24 VDC
- **DO NOT** supply power to both the 2.1mm Power Jack and the **J1-1** and **J1-2** connectors

USB Power

The USB connector can be used to power up the unit for diagnostics or low level firmware flashing. Plug a USB cable from a PC into the USB-B connector. The unit will power up, but will not be able to be used for audio operations.

Connecting a Speaker / Transformer

SPKR 8Ω+ and SPKR 8Ω-

The Speaker connectors are designed to drive an 8 Ohm load.

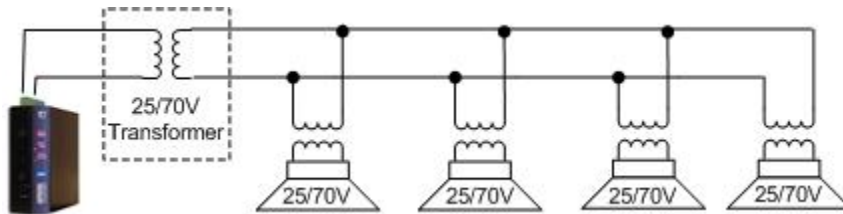
- Connect **J2-6** and **J2-7** to the 8 Ohm side of an audio transformer (polarity independent) or to the terminals or an 8 Ohm speaker
- **Please Note:** Loads from 4 ohms to 12 ohms are supported, however maximum power is transferred at 8 ohms

Speaker Configurations

The IP7-SS40 is designed to drive speakers attached to a 25/70V distribution line (requires optional 25/70V Transformer) or an 8 Ohm speaker. One or more speakers can be driven by a single IP7-SS40.

25/70V Speaker(s) with optional 25/70V transformer

The SS40 can drive one or more 25/70V Speakers or Horns when equipped with an optional 25/70V transformer. This is the recommended installation method when driving multiple speakers.



Please note the following guidelines:

- Each speaker must have its own 25/70V transformer
- Do not mix Speakers tapped for 25V with a 70V distribution line or speakers tapped for 70V with a 25V distribution line
- All speakers must be wired in parallel.
- Speakers should be installed within 3000 feet (900 meters) of the SS40 using 14 gauge wire
- The total wattage available from the SS40 must be reduced by 30% to account for transformer and line loss
- The total wattage of the selected speaker taps cannot exceed the wattage available from the IP7
- Maintain the same wiring polarity between speakers

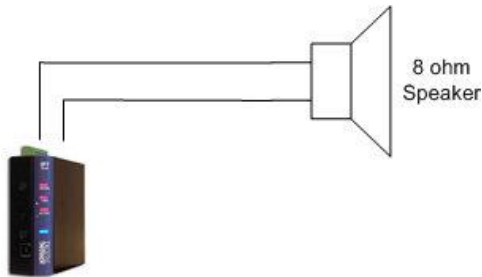
To use the optional transformer:

- Mount the transformer next to the IP Amplifier
- Connect the J2-6 (SPKR 8Ω+) and J2-7 (SPKR 8Ω-) from the IP Amplifier to the 8 Ohm side of the transformer
- Connect the 40 watt taps from the other side of the transformer to the wires leading to the speaker(s)
- Refer to the instructions included with the transformer for additional information
- 25/70 volt systems should be installed within 3000 feet (900 meters) of the SS40 using 12-18 AWG depending on the length of the wiring run

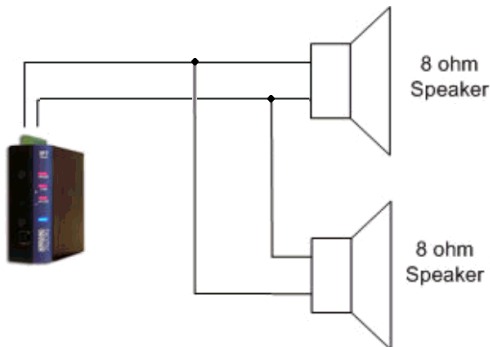
8 Ohm Speaker(s)

The following configurations are supported for driving 8 Ohm speakers. If you plan on driving more than one speaker, consider using 25/70V Speaker(s) with optional 25/70V transformer as described in the previous section. The maximum distance between the IP7 and the farthest speaker should not exceed 200 feet (60 meters)

- A single 8 Ohm speaker



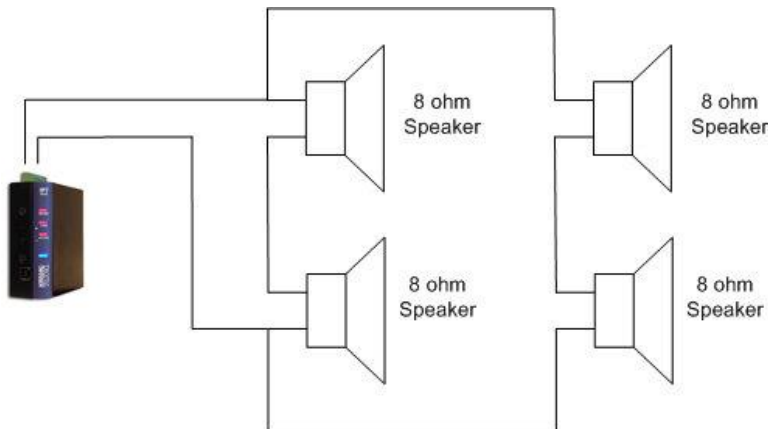
- Two 8 Ohm speakers must be wired in parallel (total 4 ohm load).



Note:

Loads from 4 ohms to 12 ohms are supported by the SS40, however maximum power is transferred at 8 ohms.

- Four 8 Ohm speakers must be wired in series-parallel



Connecting Line Out

The **Line Out** connector is designed to drive a 600 Ohm unbalanced load at -10db. This is capable of driving a powered multimedia speaker

- Connect **J2-3** to the + side of the output source
- Connect **J2-4** to the - side of the output source
- Cable length should not exceed 6ft (2 meters)
- Use 22 AWG shielded/stranded cable

Connecting an I2C Bus

The IP7-SS40 can support an optional I2C bus via the RJ-10 connector. Buttons, relays and LEDs can be added to the I2C bus, BUT REQUIRE CUSTOM FIRMWARE AND SOFTWARE. Please contact Digital Acoustics for additional information.

Mounting Instructions

The IP7-SS40 can be installed on a DIN Rail or surface mounted.

Din Rail Mounting

To DIN rail mount:

- Cut a piece of 35mm DIN rail (not supplied) to the desired length and secure it to the wall
- Place the IP7-SS40 onto the DIN rail by tilting the top of the unit (J1, J2, J3 connectors facing up with Volume buttons and USB-B connector facing forward) back towards the DIN Rail until the IP7-SS40s DIN clip catches the top of the rail
- Press in at the bottom of the IP7-SS40 to snap it in place

Surface Mounting

To surface mount:

- Attach the detachable surface mount plate to the back of the unit using the provided screws. The two mounting holes of the surface mount plate should be above the J1, J2, and J3 connectors
- Attach two (2) #8 pan head screws 2 inches (52 mm) apart and screw in to within ¼"
- Place the mounting holes of the IP7-SS40 over the #8 screws



- Attach one (1) #8 screw to the remaining hole at the bottom of the mounting plate

Setting Volume Levels

The IP7-SS40 supports seven volume levels for an attached speaker.

- Press the "+" or "-" Button one time to increase or decrease the speaker volume
- If no audio is playing, a high frequency beep is heard when the volume "+" is pressed and a low frequency beep is heard when the volume "-" is pressed
- Pressing the "-" or "+" button seven times sets the unit at its lowest or highest setting.
- Refer to the software manuals for setting the volume via software.

Software Configuration

IP Address

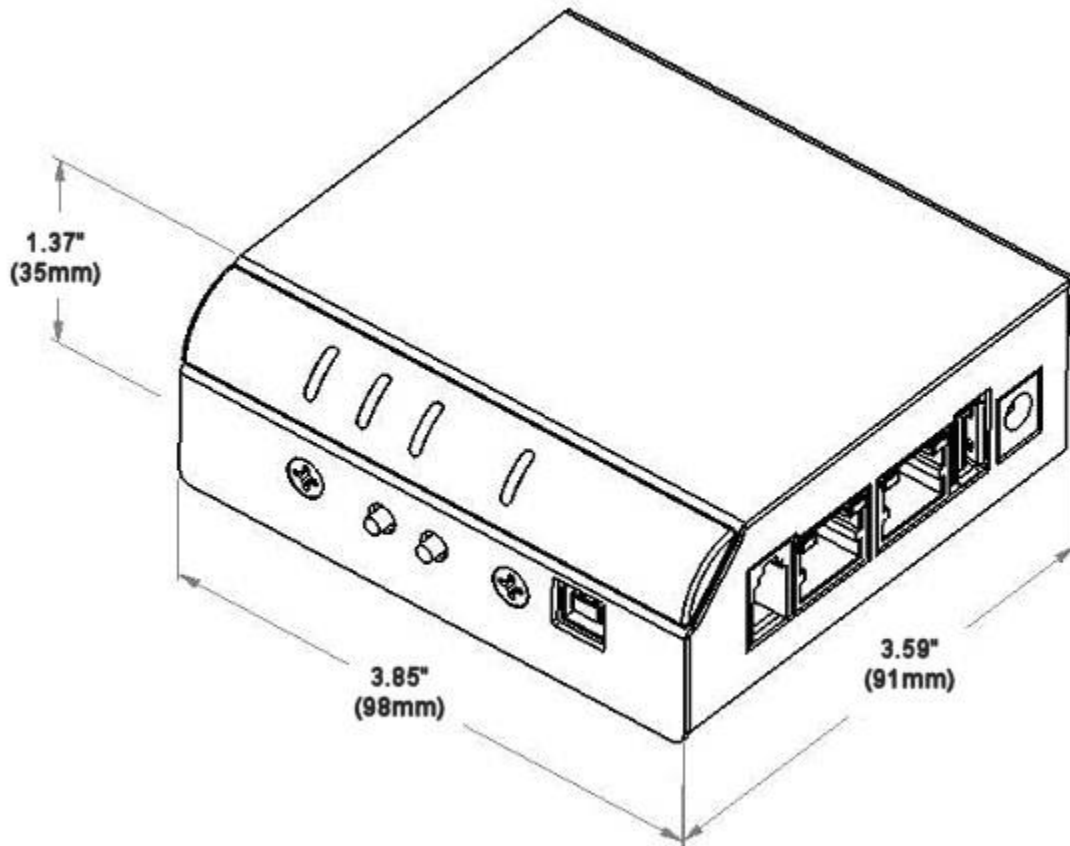
Refer to the software manuals for instructions on setting the IP address information for the IP7-SS40

Options

Refer to the software manuals for instructions on setting the "Remote Listen Disable" option in the IP7-SS40:

Physical Dimensions

The IP7-SS40 dimensions are as follows:



Environmental

The IP7-SS40 is designed to operate indoors or in a weather proof box that has a NEMA4 or IP66 rating.

Troubleshooting

Always refer the LED Indicator table when troubleshooting the IP7-SS40.

Reset to Factory Defaults

The IP Address information and all options can be reset to factory defaults by the following procedure:

- Unplug the Power
- Press and hold the "Vol +" and "Vol -" buttons
- Power the unit
- Wait till the unit plays a 3 tone beep (about 5 seconds)
- Release the "Vol +" and "Vol -" buttons
- Refer to the software manuals for instructions on setting the IP address information

Connecting 1/8" (3.5mm) Audio Plug to the Pluggable connectors

To connect Line Out to the pluggable connectors via a 1/8" audio connector, the audio plug should be wired as follows:

- The Tip should be wired to **J2-3** (Line Out)
- The Sleeve should be wired **J2-4** (GND)
- On stereo plugs, the Ring should not be connected to the IP7

Reducing electrical noise in audio

Improper wiring can cause noisy audio when transmitting microphone audio from the SS40. To minimize the possibility of this:

- Locate the unit at least one meter away from transformers, stepper motors or other noise producing equipment
- Do not run audio cable in the same conduit with AC power
- Attached J3-7 to an earth ground

Viewing tech support info via the USB port

If requested by Digital Acoustics Support, a USB cable can be attached to the IP7-SS40 to capture additional information.

- Attach a USB cable to the USB-B connector on the unit.
- Attach the other end of the cable to a PC running Windows®.
- If an "Install Hardware" prompt is displayed, insert the TM CD that came with the product and install the USB Virtual Com port.

- Open the Windows Device Manager to determine the virtual Serial port that has been assigned
- Open the Windows® Hyperterm program (or similar terminal emulation program) and set the properties to select the new Serial port with settings of 115kbs, 8,N,1, no flow control and ANSI Terminal
- Press the Enter key
- Provide the requested info to Digital Acoustics Tech support

Low Level Flashing Utility

If a power is removed from the unit while the firmware is being updated from the network, the unit may require a low level flash.

- Install the Low Level Flashing Utility from Technical Support
- Remove the four screws (two on the front and two on the back)
- Open the case by pulling up on the side opposite the Volume buttons till the top pops off
- Connect the USB cable (this will power the unit up)
- Position the unit with the Vol "+" and Vol "-" buttons facing you
- Bend a paper clip or piece of wire and insert into the two holes to the right of the Vol "+" and Vol "-" buttons
- Power cycle the unit by removing and reinserting the USB cable
- Run the Low Level Flashing Utility and specify the file name of the firmware
- Repower the unit

Contacting Technical Support

Information online at www.digitalacoustics.com

Email support:

esupport@digitalacoustics.com

Regulatory Notices

Federal Communication Commission Class A Notice

This equipment has been tested and found to comply with the limits for a Class A digital device, pursuant to **Part 15** of the FCC Rules. These limits are designed to provide reasonable protection against harmful interference when the equipment is operated in a commercial environment. This equipment generates, uses, and can radiate radio frequency energy and, if not installed and used in accordance with the instruction manual, may cause harmful interference to radio communications. Operation of this equipment in a residential area is likely to cause harmful interference in which case the user will be required to correct the interference at his own expense.

In compliance with FCC regulations, the following information is provided on the device or devices covered in this document.

- Product Name: IP7 Series
- Model number: SS20,Sx8,STx
- Company name: Digital Acoustics LLC
37 Sherwood Terrace
Lake Bluff, IL 60044
847-604-9246

IC Notice (Canada Only)

This Class A digital apparatus complies with Canadian ICES-003.

Cet appareil numérique de la classe A est conforme à la norme **NMB-003** du Canada.



NOTE: Industry Canada regulations provide that changes or modifications not expressly approved by Digital Acoustics, LLC could void your authority to operate this equipment

CE Notice

Marking by the symbol **CE** indicates compliance of this equipment to the EMC (Electromagnetic Compatibility) directive of the European Community. Such marking is indicative that this equipment meets or exceeds at least an **EN 55022:2006**

Class A device

VCCI Compliance

Class A

AS/NZS CISPR22:2006 Compliance

Class A

CNS 13438 Compliance

Class A

Index

- Button	4, 11	Line Out.....	5
+ Button	4, 11	Line Out connector.....	10
Aux Power.....	4	Options.....	11
DIN rail mount.....	10	Power	5
DIN Rail Mounting Clip	4	Power -	5
Ethernet 10/100.....	4	SPKR 8Ω-	5
Ext I/O.....	4	SPKR 8Ω+	5
External Power.....	7	surface mount	10
IP Configuration	11	USB Power	7
LED	6	USB-B.....	4
LED Status	6	Volume	11



DIGITAL
ACOUSTICS

www.digitalacoustics.com

Digital Acoustics' product designs are packaged by leading manufacturers around the world. Contact factory for technical specification before product design and/or use. Design and specification are subject to change without notice.

Digital Acoustics®, IP7™, ii3™ and TalkMaster™ are trademarks of Digital Acoustics, LLC. I2C is a registered trademark of NXP Semiconductors, Inc. All other marks used are properties of their respective owners.

Copyright 2007-2022, All Rights Reserved

IP7-SS40 Reference Manual.docu 2018-06-01-10