

# DIGITAL ACOUSTICS

## SPKR-IP-CS-IC

### Getting Started Guide



#### Introduction

The SPKR-IP-CS-IC is a 2'x2' IP Ceiling Speaker for use with Singlewire InformaCast software. The internal amplifier delivers a maximum of 8 watts of audio and is powered by Power over Ethernet (PoE - 802.3af compatible).

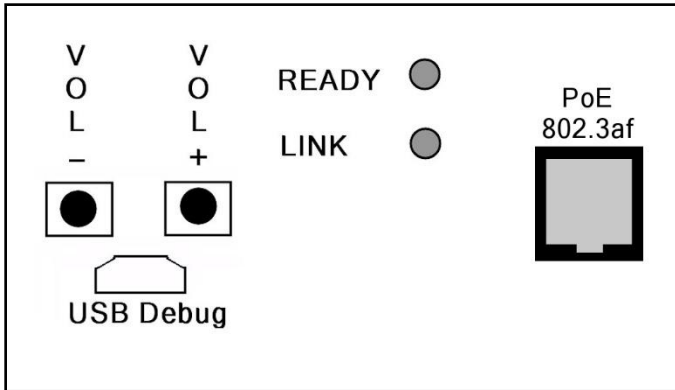
The SPKR-IP-CS-IC is DHCP enabled and will be automatically recognized by InformaCast when connected to a Multicast enabled network. This [Getting Started Guide](#) covers basic hardware installation and software configuration of the SPKR-IP-CS-IC.

#### Specifications

- 8" O.D. Speaker
- 8 Watt Amplifier
- PoE (802.3af)
- Integrated Back Box
- Average Sensitivity – 92 dB SPL, 1W/1M
- Maximum Power rating – 15W @ 8 Ohms
- Magnet Type & Weight – BeFe Ceramic, 5 oz. Nominal
- Frequency Response – 65 Hz - 17 kHz EIA 426A Standard
- Nominal Coverage Angle – 100° Included Angle -6 dB / 2 kHz, Half space

# Installation

The controls, connectors and LEDs for the SPKR-IP-CS-IC are located on a faceplate on top of the speaker. There is also a green LED in the speaker grill that matches the state of the **Ready** LED.



- Connect the SPKR-IP-CS-IC ceiling speaker to a PoE (802.3af) network cable. The SPKR-IP-CS-IC will power up within 5 seconds and request 15.4 watts from the Power Source Equipment
- The red **Link** LED will turn solid
- The red **Ready** LED will flash 4x per second
- Once the SPKR-IP-CS-IC ceiling speaker is detected by InformaCast, the **Ready** LED will turn solid
- Record the **ID#** from the label on back of the SPKR-IP-CS-IC for use during software configuration.
- Optionally, label the speaker grill with one of the extra **ID#** labels included in the box
- Install the connected Speaker in a 2'x2' ceiling grid and verify that the green **Ready** LED in the speaker grill is on solid
- Please refer to the **Application Note – IP7 for InformaCast Installation and Configuration Guide** available at [www.digitalacoustics.com/support/application-notes/](http://www.digitalacoustics.com/support/application-notes/) for additional information on installation and setup

Digital Acoustics Technical Support  
[www.digitalacoustics.com/support](http://www.digitalacoustics.com/support)

# InformaCast Software

Singlewire InformaCast Software provides the ability to send audio to one or more IP Speakers from a VoIP based phone system.



Please contact Singlewire ([www.singlewire.com](http://www.singlewire.com)) for information on installing and configuring the InformaCast software.

- Open a Web browser to the InformaCast server and select the **Speakers** menu option
- Look for the **InformaCast has detected new IP Speakers on the network** message and click the **View** button

Speakers | Edit IP Speakers

InformaCast has detected new IP Speakers on the network. [VIEW](#)

- Match the **ID#** from the label on the back of the SPKR-IP-CS-IC with the last six digits of the **MAC address** listed in the Web browser and press the **Add** button

Speakers | Edit IP Speakers

MAC address	Registration Status	Action
001b61046daa	Registered at Thu Aug 03 10:54:34 CDT 2017 (can play high quality audio), IP=10.2.2.8	<a href="#">ADD</a> <a href="#">TEST</a>

- Assign a **Name**, **Description** and **Volume** level and then press the **Add** button to complete the installation of the SPKR-IP-CS-IC

# Internal Web browser

The SPKR-IP-CS-IC can be accessed via a Web browser to set options and check the status by entering its IP Address into a web browser. The default User Name and Password is: admin

<b>Digital Acoustics</b> <b>IP7 for InformaCast</b>	
MAC Address	<input type="text" value="00:1b:61:04:79:99"/>
Version	<input type="text" value="v1.1.1.5"/>
Status	<input type="text" value="Registered to 1 of 1 servers"/>
Connection Type	<input type="text" value="DHCP"/>
IP Address	<input type="text" value="10.3.3.21"/>
Subnet Mask	<input type="text" value="255.255.255.0"/>
Gateway	<input type="text" value="10.3.3.1"/>
DNS Server 1	<input type="text" value="192.168.254.237"/>
DNS Server 2	<input type="text" value="0.0.0.0"/>
User Name:	<input type="text" value="admin"/>
New Password:	<input type="text"/>
Re-enter Password:	<input type="text"/>
<input type="button" value="Submit"/>	
Beep on Connection:	<input checked="" type="checkbox"/>
Activate Relay on Speaker	<input type="checkbox"/>
<input type="button" value="Submit"/>	
TFTP IP Address:	<input type="text"/>
Firmware Filename:	<input type="text"/>
<input type="button" value="Upgrade Firmware"/>	
<input type="button" value="Reboot"/>	
Copyright 2013, Digital Acoustics LLC	

IP7 and Digital Acoustics® are trademarks of Digital Acoustics LLC.  
Other trademarks are the property of their respective owners.  
All Rights Reserved ©2017