

DIGITAL ACOUSTICS

IP7-SS40

Getting Started Guide



Introduction

The IP7-SS40 IP paging endpoint enables 1-way IP audio to analog speakers from TalkMaster™ software and/or VoIP Systems supporting industry standard SIP 2.0 (VoIP) protocols. The internal amplifier can deliver 40 watts of audio power to one or more speakers. Power must be supplied by external 24V DC power supply capable of supporting 60 watts of electrical power.

The IP7-SS40 is configured using TalkMaster Admin Console software. This *Getting Started* booklet covers basic hardware installation and software configuration of the IP7-SS40.

IP7-SS40 Installation



Please refer to the IP7-SS40 Reference Manual available on the **Software Installation CD** for additional information on installation and setup

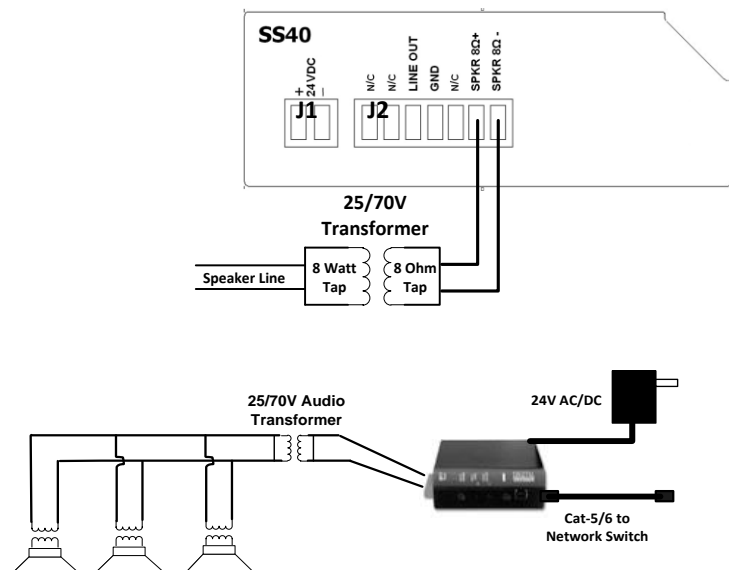
Important Installation Guidelines

- Choose 12-18 AWG wire for speaker connections. Select wire gauge suited to minimize power loss for specific distribution method and wire run distances
- Do not install near power distribution equipment or noise generating equipment such as stepper motors
- Conform to industry standard practices for grounding
- Avoid sharing AC power and audio signals in conduit runs

IP7-SS40 to 25/70V Audio Distribution Line with one or more Speakers

25/70v operation requires an audio transformer connected to each IP7-SS40 and speakers that accept 25v or 70v inputs (wired in parallel)

- Connect **SPKR 8Ω+** and **SPKR 8Ω-** (J2-6 and J2-7) to the 8 ohm side of a 25/70 audio transformer
- Connect the appropriate 25/70v winding leads to the speaker distribution line. Choose the winding tap with a value equal to or slightly higher than 40 watts

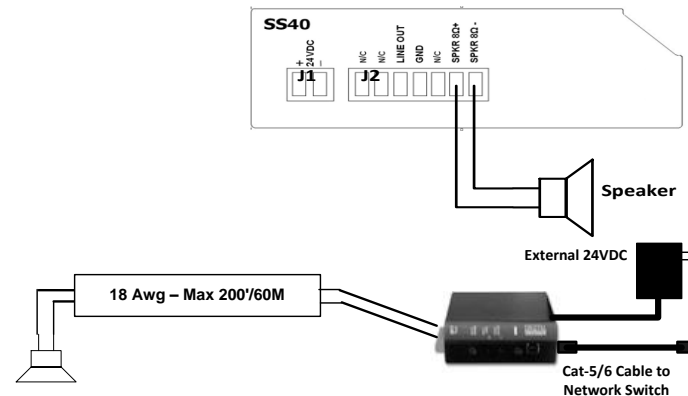


25/70V Distribution Line Installation Guidelines

- Each speaker must have its own 25/70V transformer
- All Speakers must be wired in parallel
- Make sure to maintain the same wiring polarity between each speaker
- Do not mix speakers tapped for 25V with a 70V distribution line or speakers tapped for 70V with a 25V distribution line
- Each speaker's relative volume can be set by selecting the appropriate wattage taps from the transformer
- When the wattage from each speaker is added together, the total cannot exceed the available wattage for the IP7. IP7 amplifier wattage is reduced by 30% loss due to transformer loss
- Snip off any exposed wire ends on the transformer to prevent shorting

IP7-SS40 to 8 Ohm Paging Speaker

- Connect **SPKR 8Ω+** and **SPKR 8Ω-** (J2-6 and J2-7) to the terminals of an 8 ohm speaker (polarity independent)
- For multiple speakers, the series/parallel wiring array must total 4-12 ohms (refer to SS40 Reference Manual for details)



Power Options

Choose one of the following options to power the IP7-SS40

- 24v DC at 60 (or more) watts connected to **J1-1** and **J1-2** connectors or **Aux Power** 2.1mm barrel. Wiring connections are polarity independent
- Refer to the SS40 Reference Manual for detailed information

Network Installation

- Connect an RJ-45 cable between the **Ethernet 10/100** connector and a network switch. A cable may also be connected directly to a PC during configuration and setup.

Mounting Instructions

The IP7 series is design to be mounted on standard 35mm DIN rail or surface mounted using the optional surface mounting plate.

- **DIN Rail Clip** – Tilt top of unit (J1, J2 connectors facing up with Volume buttons facing forward) back towards the DIN Rail until the IP7-SS40 DIN clip catches the top of the rail. Press in at the bottom of the IP7-SS40 to snap into place.
- **Surface Mount Plate** – Snap the optional surface mount plate in half and secure it to the back of the frame using the provided screws so that the mounting holes extend past the edges of the case

TalkMaster™ Software

TalkMaster™ Server Software is a suite of Windows® based application used to configure and manage Digital Acoustics IP7™ and ii3™ Intercoms and Paging endpoints. Applications included with the TalkMaster Server are the **Admin Console** for configuration of the Server and IP Endpoints and the **Operator Console** for managing 2-way Intercom calls and 1-way Paging announcements.



Please refer to the *TalkMaster Admin Console Reference Manual* on the **Software Installation CD** for additional information software setup options

- Install the TalkMaster Software using the Digital Acoustics' Software CD
- Refer to the previous section to power up and connect the IP7 series device to the network.
- Record the unique ID# from the bottom label of the IP Endpoint and note the location where it will be installed
- Start the Admin Console and logon with an Operator ID of **admin** and the default password of **admin**

A dialog box titled "Logon Required" with fields for "Logon ID" and "Password", and "OK" and "Cancel" buttons.

- Click the **Settings → Endpoint Defaults** tab and make any changes required for your installation. For instance, if you want to assign static IP Addresses, uncheck the **Assign Automatically with DHCP** checkbox

The "Endpoint Defaults" configuration window shows various settings for IP endpoints, including checkboxes for DHCP, UDP/RTP, and Authorized Endpoint, and fields for IP addresses and ports.

- Click the **IP Endpoints** tab and press the **FIND ALL** button in the lower right hand corner of the screen. Newly discovered IP Endpoints appear in the list

A toolbar with buttons for "Delete", "Save", "Find All", and "Replace".

- Click on the IP Endpoint to be configured (the "Icom ID" column must match to the Intercom's previously recorded ID#)

Auth	Location Name	Icom ID	IP Address	Queue
<input type="radio"/>		0397C6	10.3.3.21	Unassigned

- Click the **Defaults** button and enter a descriptive name into the Location Name field
- Make any other desired changes, then select the **Options 2** tab

The "Configuration" dialog box shows settings for an IP endpoint, including fields for Location Name, IP Address, Subnet Mask, Gateway, Port, and checkboxes for DHCP and Authorized IP Endpoint.

- Check the **Remote Listen Disable** option (the SS40 does not support a microphone, so the **Operator Console** should never go into **Listen** mode)
- Optionally, select the **Paging Groups** tab to include the SS40 into one or more paging groups

Change additional IP7 Configuration Options and click **SAVE** when changes have been completed

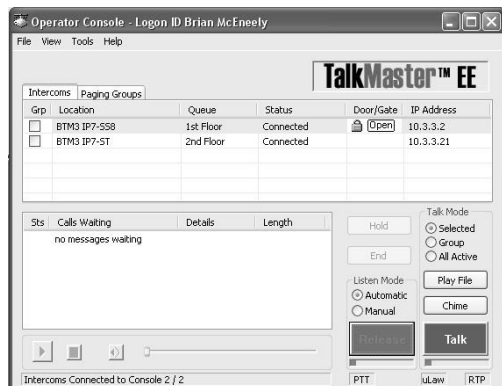
When all Admin Console changes have been completed, press the **Update Now** button and close the Admin Console

Start the Operator Console

- Logon with the assigned Operator ID and Password or as the admin
- Specify the IP Address of the TalkMaster Server (specify 127.0.0.1 if the Operator Console is running on the TalkMaster Server PC)

A "Logon Required" dialog box with fields for "Logon ID", "Password", and "Address", and buttons for "Login", "Cancel", and "<< Options".

IP Endpoints will appear on the **Intercoms** tab or as part of one or more paging groups on the **Paging Groups** tab of the Operator Console



- The PC's microphone is used to send audio to an IP Endpoint
- Select an IP Endpoint by clicking on it
- Click and hold the **Talk** button, or press and hold the Space Bar to speak to the IP Endpoint
- Release the **Talk** button or Space Bar
- Click the **Release** button or press the Escape Key to end the call

If the SS40 has been included in one or more paging groups, click the **Paging Groups** tab



- Click the **Group Name** the IP7 belongs to
- Click the **Message** to be played
- Click the **Play File** button

IP7-SS40™ Getting Started Guide

Refer to the **IP7-SS40 Hardware Reference Manual** for detailed information on wiring, setup, configuring IP addresses and additional software settings.

IP7-SS40 GettingStartedGuide.docu TalkMaster, IP7 and Digital Acoustics® are trademarks of Digital Acoustics LLC. Other trademarks are the property of their respective owners. All Rights Reserved ©2012 p/n 6625
www.digitalacoustics.com/support